

Sanitary Grade Electromagnetic Flow Meter Model : SG - Sroat



Features :

- Full Stainless Steel Body.
- End Connection in Union Coupling/tri-clover clamp
- Sizes Available from 1" to 4".
- Highly Accurate and extremely Linear.
- Isolated 4-20 mA output Proportional to flow rate.
- Option of Pulse Output available.

Description :

The Series SG-Sroat of Electromagnetic Flow Meters is specifically designed for measurement of food liquids like milk, cream, juices of various fruits, pharma liquids etc. It is available with integral or remote version of transmitter. The transmitter can have built-in or remote totalizer display. Suitable end connections of SMS Union or DIN Union or Tri-clover Clamp is given as per customer's requirements.

Special models are available for mounting on Milk Tankers.

* Technical Specifications :

| | |
|---------------------------|---|
| Meter Size | : 1" to 4" |
| Pressure | : 40 Bar max. |
| Media Temperature | : 150°C max. |
| Ambient Temperature range | : 4 to 50°C |
| Material | : Pipe : SS304 Liner : PTFE Food Grade Electrodes : SS316L Coil Housing : SS304/SS316 End Connections : SS304/SS316 |
| Type of Transmitter | : Sroat 1000A |
| Min. Media conductivity | : 5 micro-siemens per cm. |
| Output | : 1) 4 to 20 mA proportional to flow Rate, isolated from input, body and power supply (Standard). 2) Pulse Output, open collector type, proportional to totalizing rate(Optional). |
| Local Display(Optional) | : a)Flow Rate, 3½ digit LCD. b)Total Quantity, 8 Digit LCD. |
| Accuracy | : 0.5% of reading from 100% to 10% flow rate. |
| Flow Velocity Range | : 0.1 m/s to 10m/s.(Higher velocities can be catered on request). |
| Power Supply | : 1) 110Vac/ 230Vac, 50/60 Hz.(Standard) 2) 24 Vdc/12Vdc. (Optional) |
| Power Rating | : 10VA Max. |
| Ingress Protection | : IP68 for Primary Flow Sensor, IP65 for flow Transmitter. |

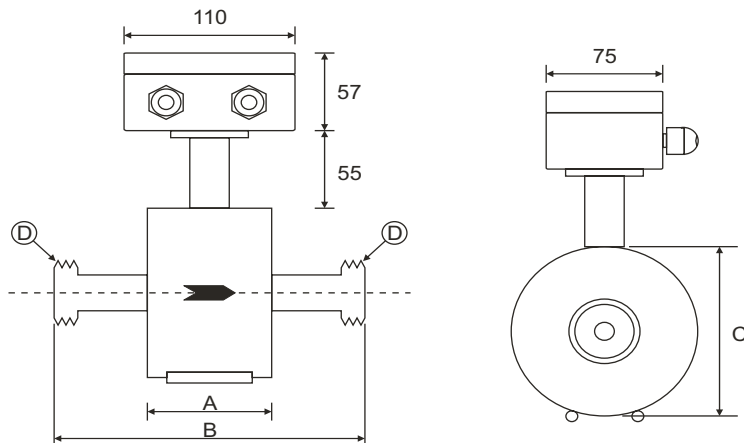


Flow Rate Table at v = 1m/s

| SIZE | m ³ /Hr. | LPM | LPS |
|-------|---------------------|---------|-------|
| 25 | 1.767 | 29.452 | 0.490 |
| 32 | 2.895 | 48.254 | 0.804 |
| 38 | 4.523 | 75.398 | 1.256 |
| 51 | 7.068 | 117.809 | 1.963 |
| 63.5 | 11.945 | 199.098 | 3.318 |
| 76.1 | 18.095 | 301.592 | 5.026 |
| 101.6 | 28.274 | 471.238 | 7.853 |
| 104 | 28.274 | 471.238 | 7.853 |

Table for Meter Dimensions(mm)

| Meter Size | A | B | C | D |
|------------|-----|-----|-----|----------|
| 25 | 80 | 200 | 135 | 25 SMS |
| 32 | 100 | 200 | 140 | 32 SMS |
| 38 | 100 | 200 | 140 | 38 SMS |
| 51 | 105 | 200 | 210 | 51 SMS |
| 63.5 | 105 | 200 | 215 | 63.5SMS |
| 76.1 | 105 | 200 | 220 | 76.1SMS |
| 101.6 | 130 | 250 | 305 | 101.6SMS |
| 104 | 130 | 250 | 305 | 104 SMS |



Note : The dimensions are with terminal box.

Ordering Information :

| Size of Flow Meter | |
|--------------------|----------|
| 25 mm | 63.5 mm |
| 32 mm | 76.1 mm |
| 38 mm | 101.6 mm |
| 51 mm | 104 mm |

| End Connection | |
|----------------|------------------|
| TC | Tri-Clover Clamp |
| SU | SMS Union |
| DU | DIN Union |

| MOC of Body and End Connection | |
|--------------------------------|--|
| SS304 | |
| SS316 | |
| SS316L | |

| Flow Transmitter | |
|------------------|----------|
| FT-01 | Integral |
| FT-02 | Remote |

| Power Supply | |
|--------------|--------------------|
| 01 | 110Vac/50 or 60 Hz |
| 02 | 230Vac/50or 60 HZ |
| 03 | 24Vdc |
| 04 | 12Vdc |

SG-Sroat Size 32 - SU - SS316 - FT02 - 02 **Sample Order Code**

Due to Continuous development specifications are subject to change without prior notice.

Manufactured By



Manas Microsystems Pvt. Ltd.
Pune.

Authorised Distributor



Managing Technology & Services

MTS ENGINEERS PVT. LTD.

B/408, Wall Street-II, Opp. Orient Club, Near Gujarat College,
Ellisbridge, Ahmedabad-380 006, Gujarat, INDIA.
T : +91 79 2640 0063 / 3016 0063 • F : +91 79 4004 7430
www.mtsengrs.com

